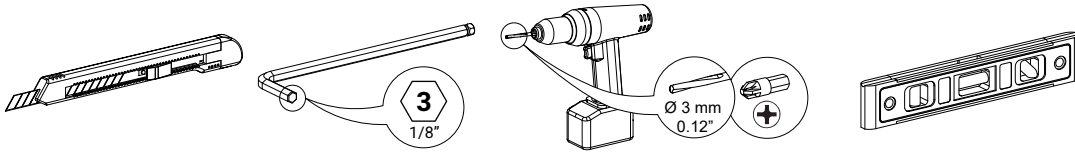


Attrezzi richiesti / Tools Required:

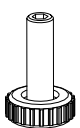
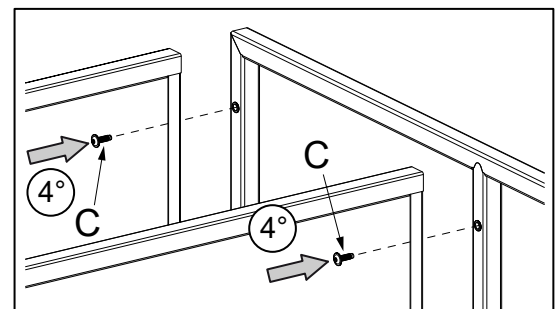
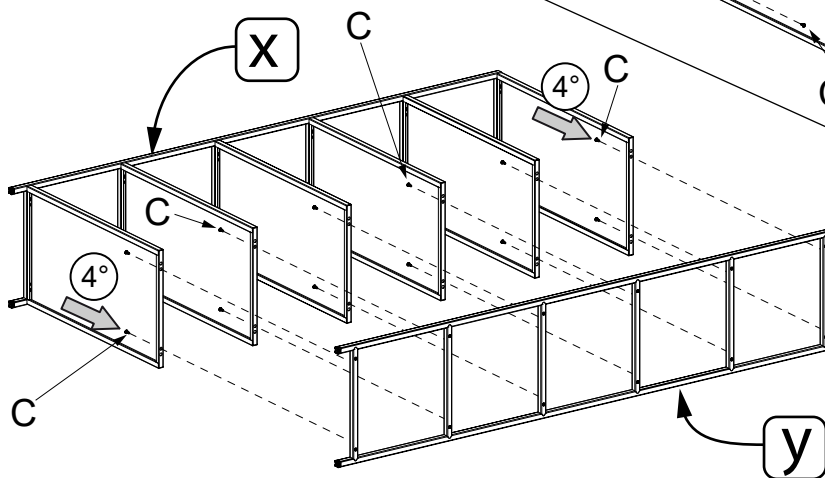
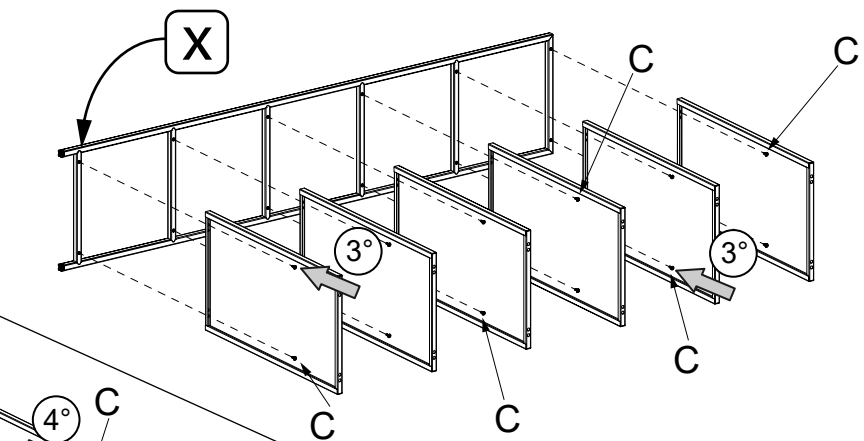
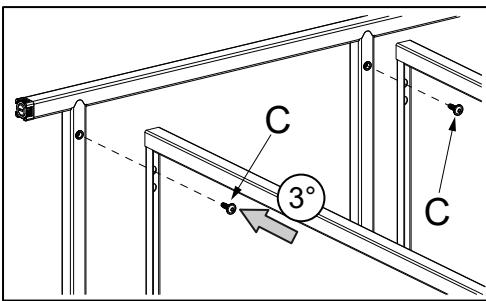
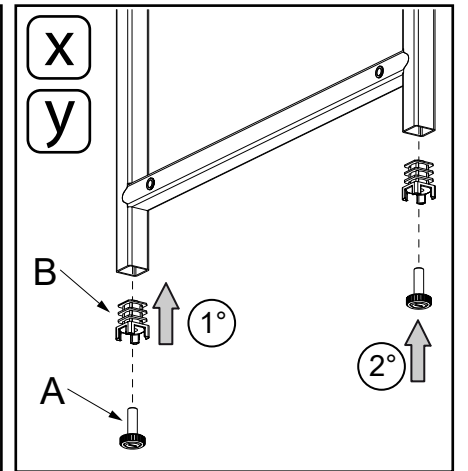
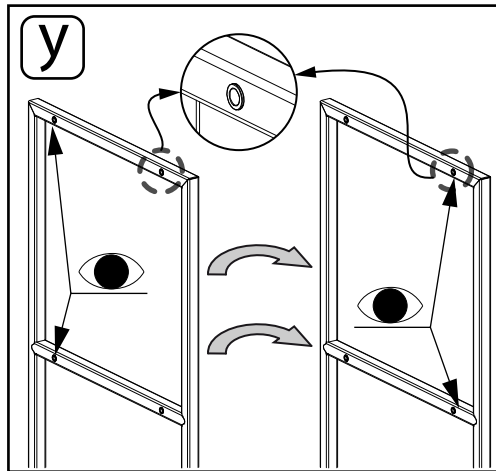
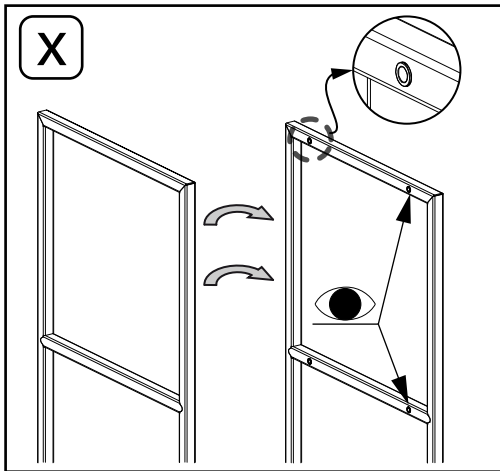


NOTE

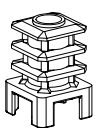
ASSEMBLAGGIO / ASSEMBLY



DISASSEMBLAGGIO / DISASSEMBLY



A



B

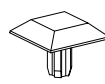
3
1/8"



C



D



E

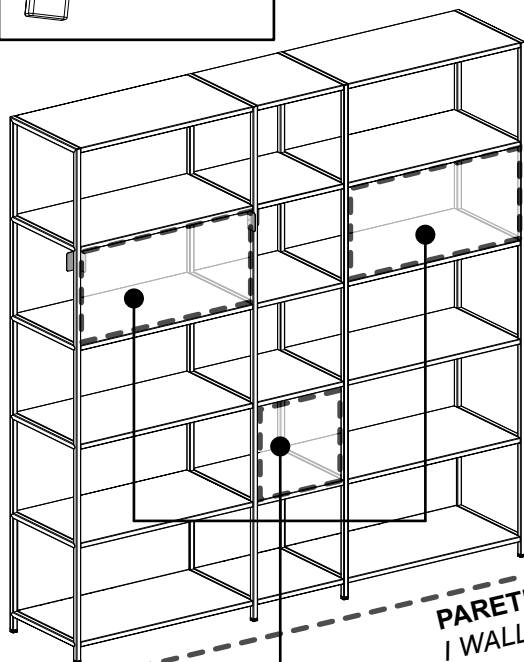
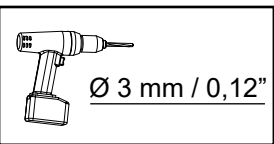
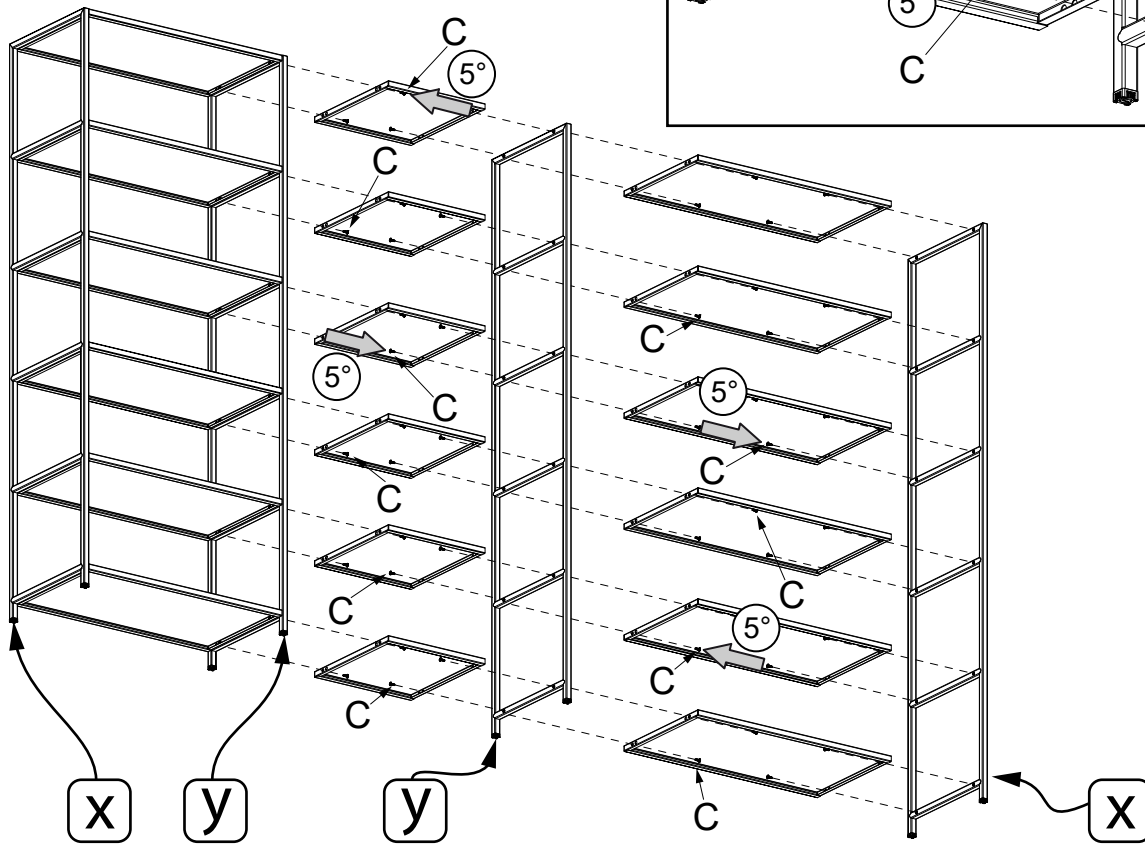
F

G

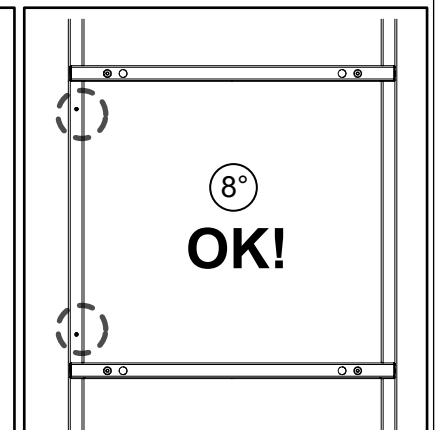
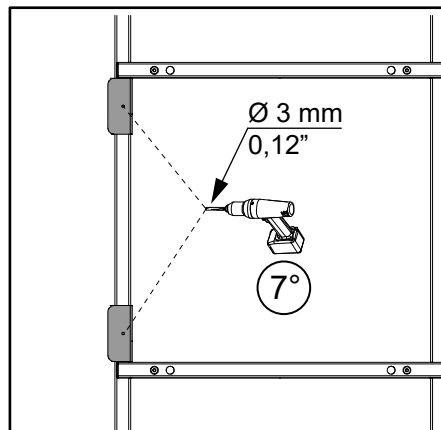
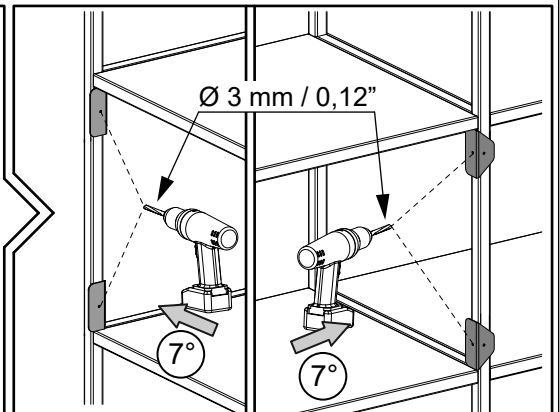
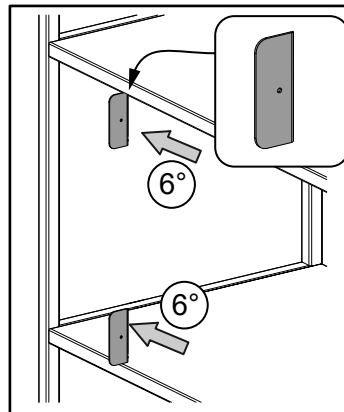
H

T.B.E.I. M5x16

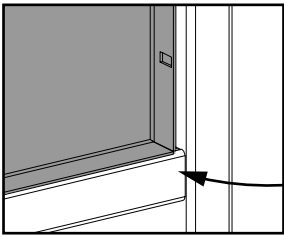
AUTOPERF. T.T.L. Ø4,2x13



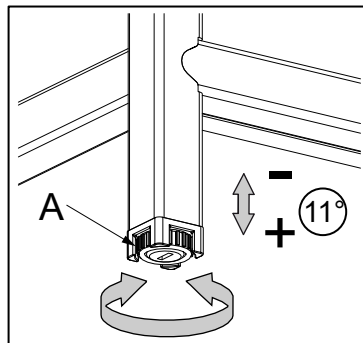
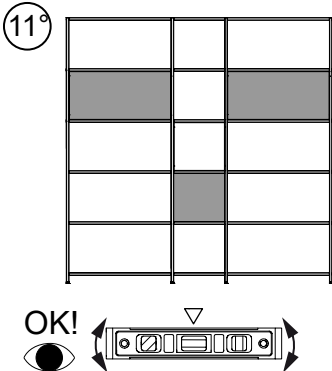
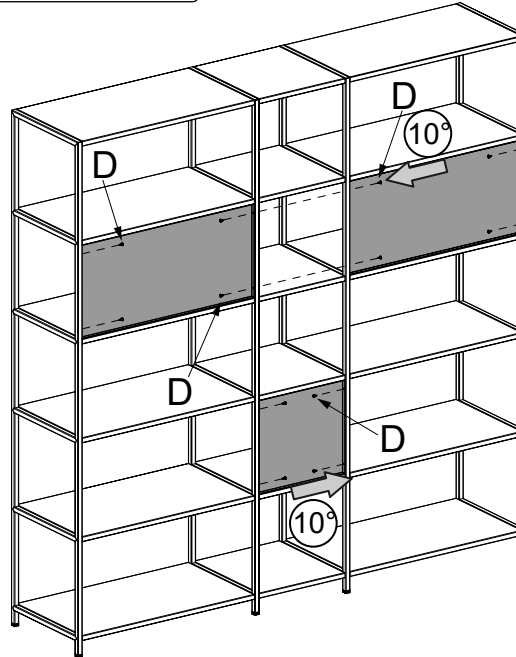
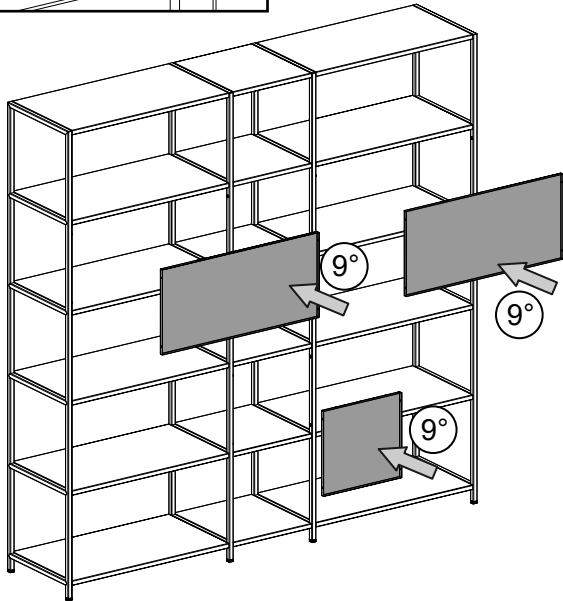
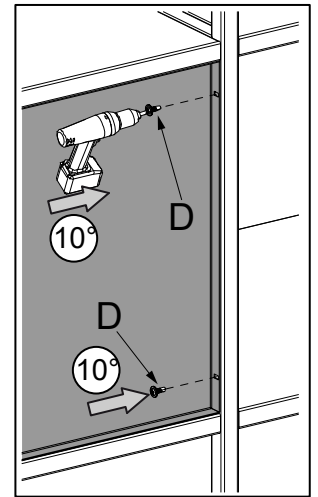
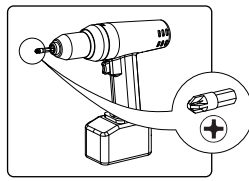
FORARE IL VANO DOVE SI DESIDERA
MONTARE LE SCHIENE METALLICHE.
/ DRILL THE COMPARTMENT WHERE YOU
WISH TO MOUNT THE METALLIC BACKS.



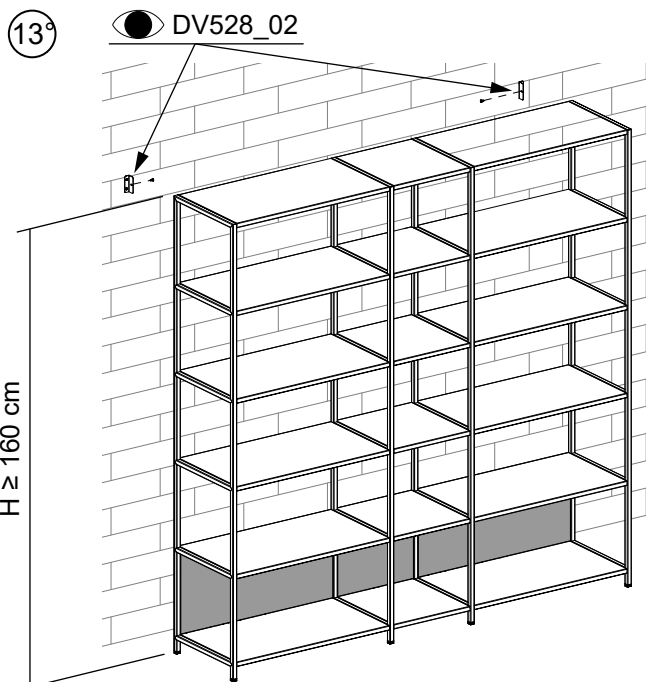
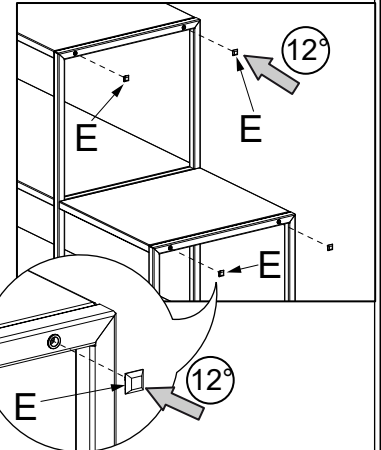
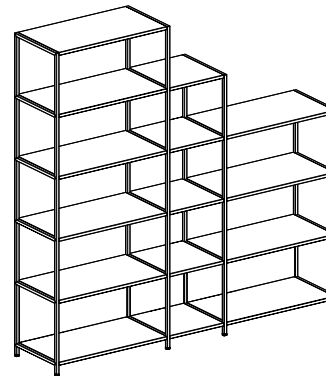
4 FORI Ø 3 mm / 0,12" PER OGNI COLONNA -SCHIENA /
4 HOLES Ø 3 mm / 0,12" FOR EACH COLUMN / BACK PANEL



LATO MURO
/ WALL SIDE



12° EXAMPLE:



LEGENDA / LEGEND	RIFIUTO / WASTE
FIANCHI IN TUBOLARE METALLICO VERNICIATI CON POLEVRI EPOSSIDICHE / SIDES IN METAL TUBULAR VARNISHED WITH EPOXY POWDERS	METALLO / METAL
RIPIANI IN METALLO VERNICIATI CON POLEVRI EPOSSIDICHE / SHELVES IN BENT METAL SHEET VARNISHED WITH EPOXY POWDERS	METALLO / METAL
SCHIENE IN METALLO VERNICIATE CON POLEVRI EPOSSIDICHE / BACK PANELS IN BENT METAL SHEET VARNISHED WITH EPOXY POWDERS	METALLO / METAL
PUNTALE PIEDINI IN ABS / ABS FERRULE	PLASTICA / PLASTIC
PIEDINI LIVELLATORI IN ABS CON FILETTO IN METALLO / ABS LEVELING FEET WITH METAL THREAD	RIFIUTO SPECIALE / SPECIAL WASTE