

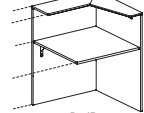
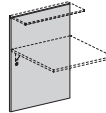
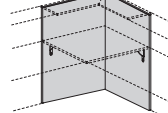
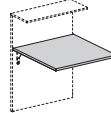
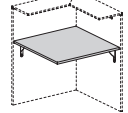


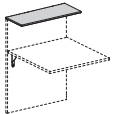
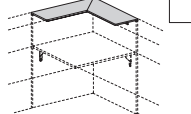
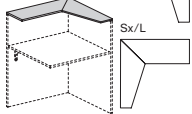
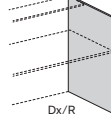

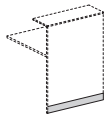
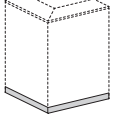
## Moduli bancone standard/Standard counter units

|   |   |  |
|---|---|--|
| <p>D 33 1/16" x H 44 1/4"</p>  <p>703.MB.01.08_W 31 1/2"<br/>703.MB.01.14_W 55 1/8"<br/>703.MB.01.16_W 63"<br/>703.MB.01.20_W 78 6/8" (**)<br/>Moduli dritti/Straight counter units</p> | <p>W 33 1/16" D 33 1/16" x H 44 1/4"</p> <p>(*)</p>  <p>703.MB.03.08_<br/>Raccordo 90° a 2 vie<br/>/2 ways 90° connection unit</p> | <p>W 33 1/16" D 33 1/16" x H 44 1/4"</p> <p>Dx/R</p>  <p>703.MB.04.08_<br/>Terminale 90° Dx - Sx<br/>/Terminal counter unit 90° R - L</p> |
|---|---|--|

## Componenti per moduli bancone/Components for counter units

|   |  |   |   |
|---|--|---|---|
| <p>D 1" x H 43 3/8"</p>  <p>703.SQ.01.08_W 31 1/2"<br/>703.SQ.01.14_W 55 1/8"<br/>703.SQ.01.16_W 63"<br/>703.SQ.01.20_W 78 6/8" (**)<br/>Schiene per moduli dritti<br/>/Back panels for straight units</p> | <p>W 33 1/16" D 33 1/16" x H 43 3/8"</p>  <p>703.SQ.02.08_<br/>Schiene per moduli 90°<br/>/Back panels for 90° units</p> | <p>D 31 1/2" x H 1"</p>  <p>703.PQ.01.08_W 31 1/2"<br/>703.PQ.01.14_W 55 1/8"<br/>703.PQ.01.16_W 63"<br/>703.PQ.01.20_W 78 6/8"<br/>Piani scrivania per moduli dritti<br/>/Worktops for straight units</p> | <p>W 31 1/2" D 31 1/2" x H 1"</p>  <p>703.PQ.02.08_<br/>Piani scrivania per moduli 90°<br/>/Worktops for 90° units</p> |
|---|--|---|---|

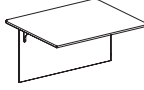
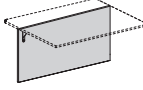
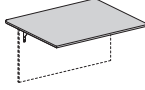
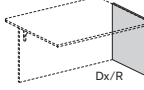
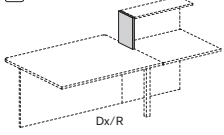
## Componenti per moduli bancone/Components for counter modules

|   |  |  |  |   |  |   |
|---|--|--|--|---|--|---|
| <p>D 11 7/8" x H 23/32"</p>  <p>703.TQ.01.08_W 31 1/2"<br/>703.TQ.01.14_W 55 1/8"<br/>703.TQ.01.16_W 63"<br/>703.TQ.01.20_W 78 6/8"<br/>Top per moduli dritti<br/>/Top for straight units</p> | <p>W 33 1/16" D 33 1/16" x H 23/32"</p> <p>(*)</p> <p>Sx/L - Dx/R</p>  <p>703.TQ.02.08_<br/>Top per raccordo 90° a 2 vie<br/>/Top for 90° units</p> | <p>W 33 1/16" D 33 1/16" x H 23/32"</p> <p>Dx/R</p>  <p>703.TQ.03.08_<br/>Sx/L - Dx/R<br/>Top per terminali 90° Dx - Sx<br/>/R - L top for 90° terminal units</p> | <p>W 33 1/16" D 1" x H 44 1/4"</p> <p>(*) (2)</p> <p>Dx/R</p>  <p>703.FC.01.08_<br/>Sx/L - Dx/R<br/>Fianchi terminali Dx - Sx<br/>/R - L terminal sides</p> | <p>W 2" D 2" x H 28 1/8"</p>  <p>703.GM.01.01<br/>Colonna intermedia<br/>/Intermediate slim column</p> | <p>D 1" x H 3 1/8"</p>  <p>703.ZB.01.08_W 31 1/2"<br/>703.ZB.01.14_W 55 1/8"<br/>703.ZB.01.16_W 63"<br/>703.ZB.01.20_W 78 6/8"<br/>Zoccoli per moduli dritti/Metal plinth for straight units (Optional)</p> | <p>W 33 1/16" D 33 1/16" x H 3 1/8"</p>  <p>703.ZB.02.08<br/>Zoccoli per moduli 90°<br/>/Metal plinth for 90° units (Optional)</p> |
|---|--|--|--|---|--|---|

(\*) Non utilizzabile come terminale/It cannot be used as a terminal side

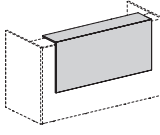
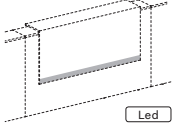
(2) Componenti non collegabili con modulo conversazione/Items that cannot be connected with the conversation counter units

## Moduli bancone con piano conversazione/Counter units with conversation top



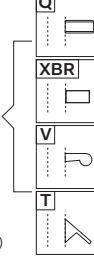
|   |   |   |  |   |
|---|---|---|--|---|
| <p>W 55 1/8" D 45 1/4" x H 29 1/8"</p> <p>(*)</p>  <p>703.MB.02.14_<br/>Modulo conversazione<br/>/Conversation counter unit</p> | <p>W 55 1/8" D 1" x H 28 1/8"</p> <p>(*)</p>  <p>703.SQ.03.14_<br/>Schiene per modulo conversazione<br/>/Back panels for conversation unit</p> | <p>W 55 1/8" D 45 1/4" x H 1"</p> <p>(*)</p>  <p>703.PQ.03.14_<br/>Piano per modulo conversazione<br/>/Worktop for conversation unit</p> | <p>W 33 1/16" D 1" x H 29 1/8"</p> <p>(*) (2)</p> <p>Dx/R</p>  <p>703.FC.03.08_<br/>Sx/L - Dx/R<br/>Fianchi terminali per modulo conversazione<br/>/Terminal sides for conversation unit</p> | <p>W 11 1/16" D 1" x H 15 3/8"</p> <p>(*)</p>  <p>703.CT.A1.02_<br/>Sx/L - Dx/R<br/>Fianchetti superiori per modulo conversazione<br/>/Small sides for conversation unit</p> |
|---|---|---|--|---|

(2) Gli zoccoli sono optional e non sono previsti per i fianchi terminali / The aluminium plinths are optional and are not intended for end panels







## Top accettazione/Decorative top

|   |   |
|---|---|
| <p>W 55 1/8" - 63" D 12 3/4" x H 29 1/8"</p> <p>(*)</p>  <p>703.TA.01.14_W 55 1/8"<br/>703.TA.01.16_W 63"</p> | <p>W 55 1/8" D 1" x H 28 1/8"</p> <p>(*)</p>  <p>703.LQ.02.14_W 55 1/8"<br/>703.LQ.02.16_W 63"</p> |
|---|---|

## Cassettiere portanti/Carrying pedestals

|  |  |   |
|--|--|---|
| <p>W 16 4/8" D 25 5/8" x H 72,2</p> <p>(*) (2)</p>  <p>550.CS.30.04_ 550.CS.40.04_<br/>Cassettiere senza top per integrazione sotto il piano di lavoro/Pedestals without top to be integrated under the worktop</p> | <p>H 23/32"</p> <p>(*)</p>  <p>550.CG.12.04<br/>Zoccolo (Optional)<br/>/Base frame (Optional)</p> |  |
|--|--|---|

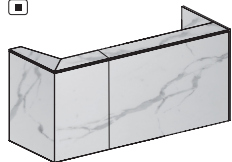
## Cassettiere/Pedestals

|   |  |  |  |  |  |
|---|--|--|--|--|--|
| <p>W 16 4/8" D 22 1/2" x H 21 7/8"</p> <p>(*) (2)</p>  <p>550.CS.10.04_<br/>Melaminico/Melamine</p> | <p>W 12 11/16" D 21 3/8" x H 21 7/8"</p> <p>(*) (2)</p>  <p>550.CS.20.04_<br/>Melaminico/Melamine</p> | <p>W 12 11/16" D 21 3/8" x H 21 7/8"</p> <p>(*) (2)</p>  <p>550.CS.1M.03_<br/>Metalliche/Metallic</p> | <p>W 12 11/16" D 21 3/8" x H 21 7/8"</p> <p>(*) (2)</p>  <p>550.CS.2M.03_<br/>Metalliche/Metallic</p> | <p>W 16 5/8" D 21 3/8" x H 21 7/8"</p> <p>(*) (2)</p>  <p>550.CS.1M.04_<br/>Metalliche - Vaschetta porta cancelleria inclusa<br/>/Metallic - Stationery tray included</p> | <p>W 16 5/8" D 21 3/8" x H 21 7/8"</p> <p>(*) (2)</p>  <p>550.CS.2M.04_<br/>Metalliche - Vaschetta porta cancelleria inclusa<br/>/Metallic - Stationery tray included</p> |
|---|--|--|--|--|--|

(Note): Per portacancelleria cassette, vedi capitolo DV300-Accessori / For stationary tray, see chapter DV300-Accessories.

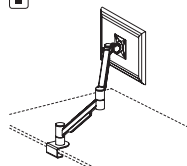
## Composizione in gres/Gres composition

W 97 1/4" D 33 1/16" x H 44 1/4"



703.CM.P1

## Bracci porta video/Arms for video support

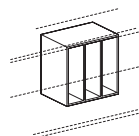


300.AC.02.01

Braccio porta video mobile su piano  
/Dynamic arm for video support on deskbase

## Accessori/Accessories

W 13 6/8" D 9 1/2" x H 13 6/8"



300.AC.14.03

Box Multiuso/Storage Box

## Canalizzazione – Elettrificazione/Wire-Management – Electrification



300.AP.V1.00



300.AP.15.05 W 22 7/8"

For 703.MB.01.08\_/703.MB.04.08\_

300.AP.15.08 W 34 5/8"

For 703.MB.01.20\_

300.AP.15.11 W 43 3/8"

For 703.MB.01.14\_/703.MB.02.14\_

300.AP.15.14 W 55 1/8"

For 703.MB.01.16\_



703.AP.01.04 W 17 6/8"

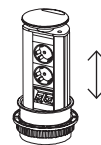
For 703.MB.03.08\_



300.AP.S1.02 W 8 1/8"

300.AP.S1.03 W 11 7/8"

300.AP.S1.04 W 16 4/8"



300.AP.T4.01

300.AP.T5.01 – UK

300.AP.T6.01 – US

Ø 3 1/8"



300.AP.T8.11

300.AP.T8.14

300.AP.T8.17

300.AP.T8.20



300.AP.T2.01 Ø 3 1/8"



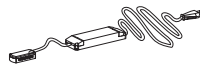
300.AP.T7.01 Ø 2 3/8"

300.AP.T8.01 Ø 3 1/8"



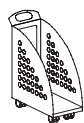
Led

703.LQ.03.00 L 21 5/8"



703.KQ.03.00

15W/100 – 240V ≥ 12V



300.AC.06.05\_

### Note:

1 Progettare la composizione del bancone ed aggiungere:  
n°1 gamba intermedia per ogni collegamento tra due moduli;  
n° 1 gamba terminale Dx o Sx, o fianco terminale Dx o Sx, o fianco terminale conversazione Dx o Sx per ogni lato finale del bancone; copertura superiore per ogni collegamento tra modulo conversazione e modulo bancone; / When designing the counter composition, add the following elements: n°1 middle leg for each connection between two counters; n°1 terminal leg (RH or LH) or terminal side (RH or LH), or terminal side for conversation counter unit (RH or LH) on each side of the counter unit; add the terminal covers elements according to the same quantity of terminal legs; upper cover element for the connection between the conversation counter unit and the standard counter unit;

2 Per la scelta dei contenitori e degli accessori vari, consultare il relativo listino o catalogo/To choose storage units and accessories, please check correspondent pricelist or catalogue;

3 Le dimensioni sono espresse in pollici – consultare il listino prezzi per le caratteristiche tecniche, i codici degli articoli e delle finiture/Dimensions are stated in inch – for technical characteristics, article code numbers and finishing see price list;

\*\* Le schiene L=200 cm non sono disponibili noce "Maroncelli" /The back panels W=78 6/8" are not available in "Maroncelli" walnut.

■ Prodotti non in pronta consegna. Per la disponibilità contattare l'ufficio commerciale/Items not in prompt delivery. Please contact the commercial department to check availability;

● Articoli prodotti solo su richiesta/Items produced only on demand;

☞ Con serratura/With lock.

☒ Fino ad esaurimento/Until exhaustion;