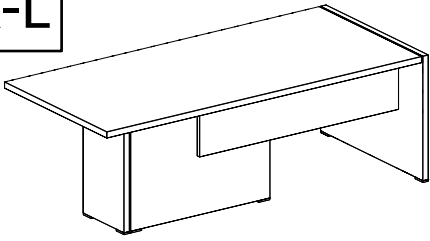
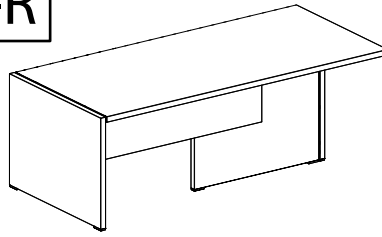


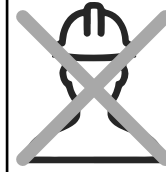
Sx-L



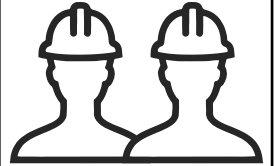
Dx-R



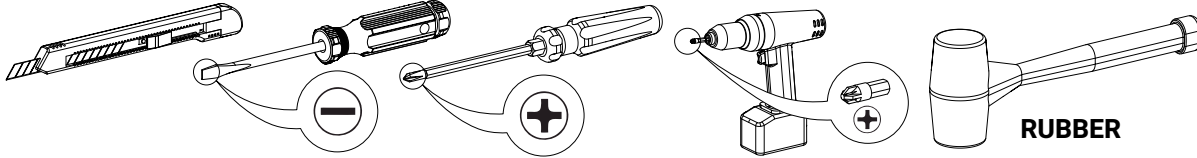
NO!



OK!



Attrezzi richiesti / Tools Required:



NOTE

ASSEMBLAGGIO
/ ASSEMBLY

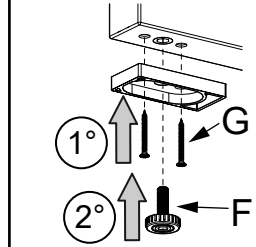
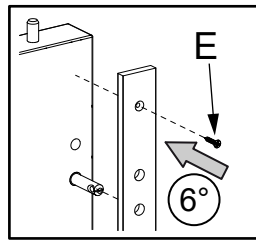
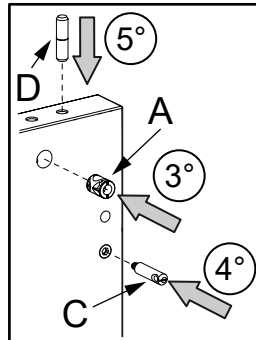
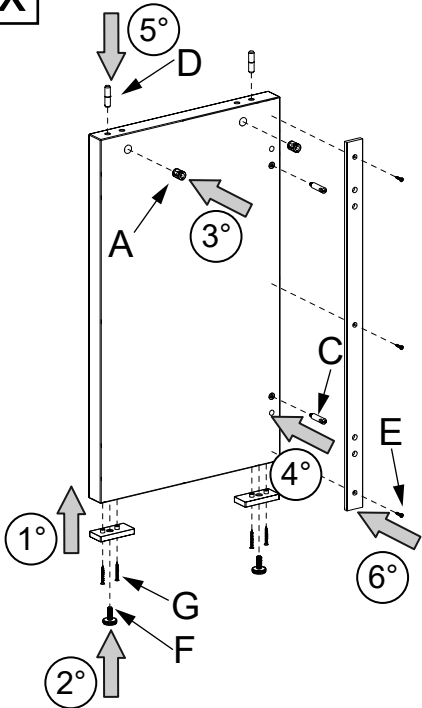


DISASSEMBLAGGIO
/ DISASSEMBLY

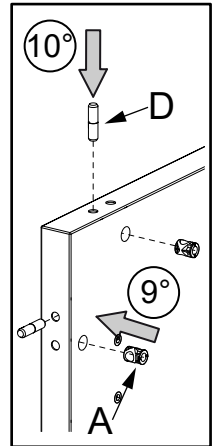
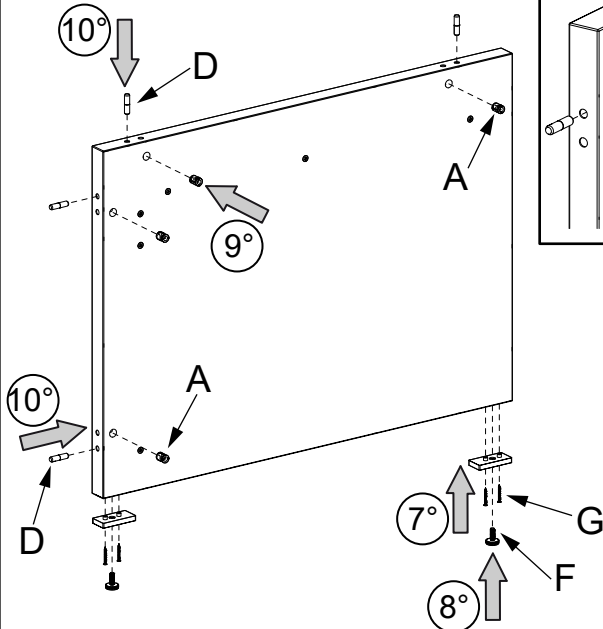


Example with Dx-R

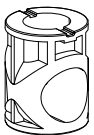
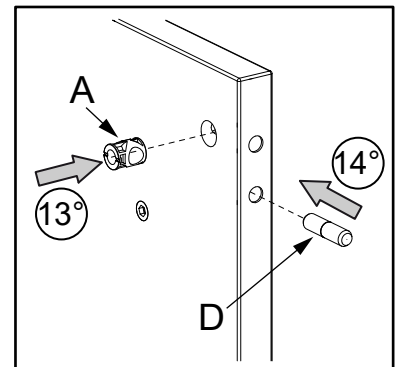
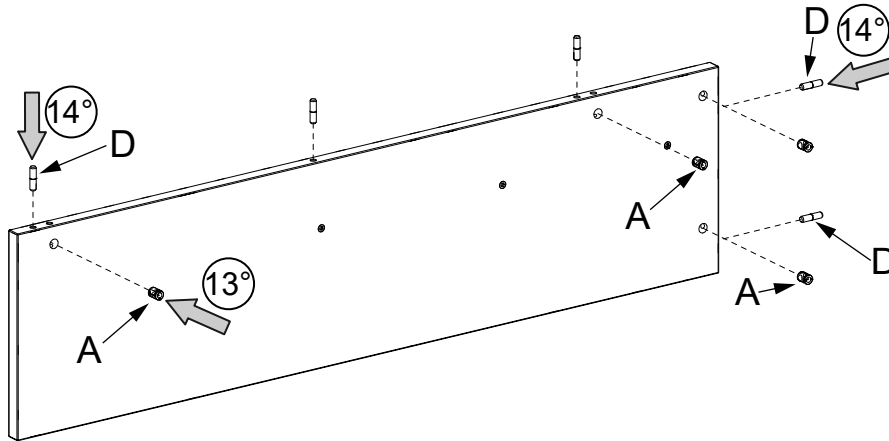
X



Y



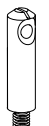
Z



A



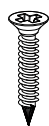
B



C



D



E



F



G



H



L



M

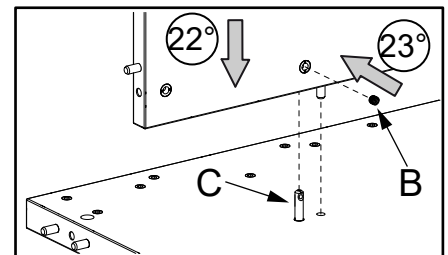
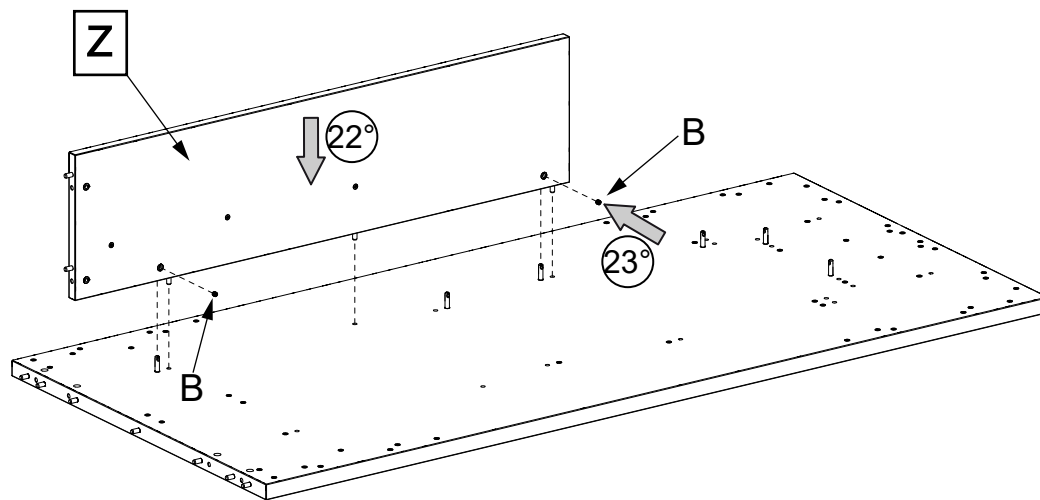
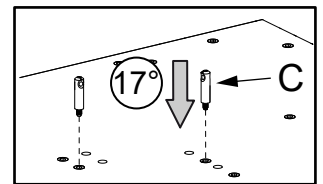
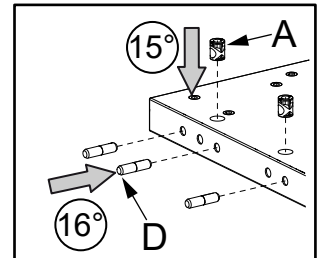
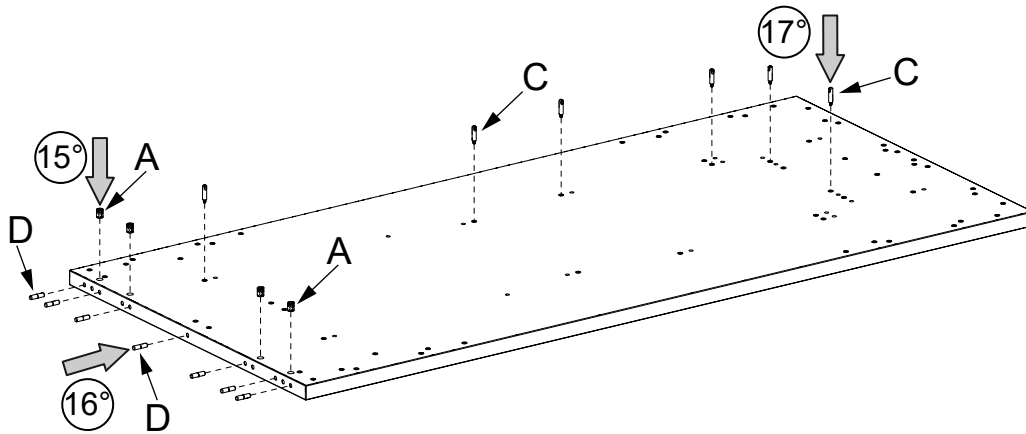
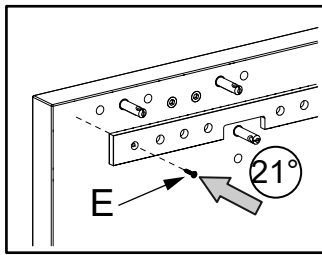
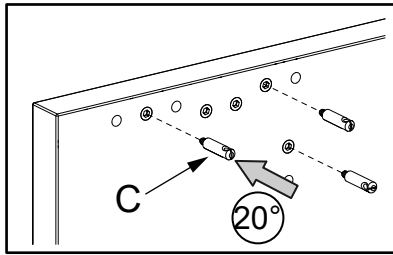
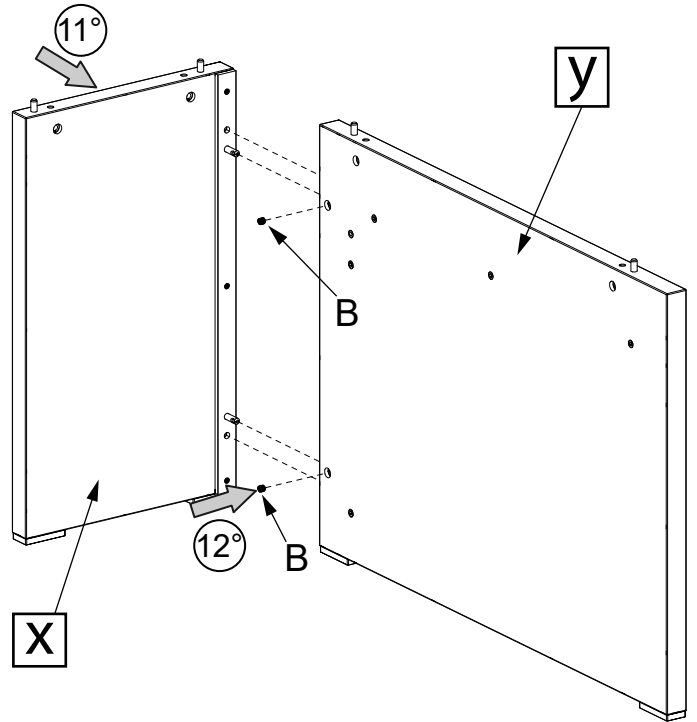
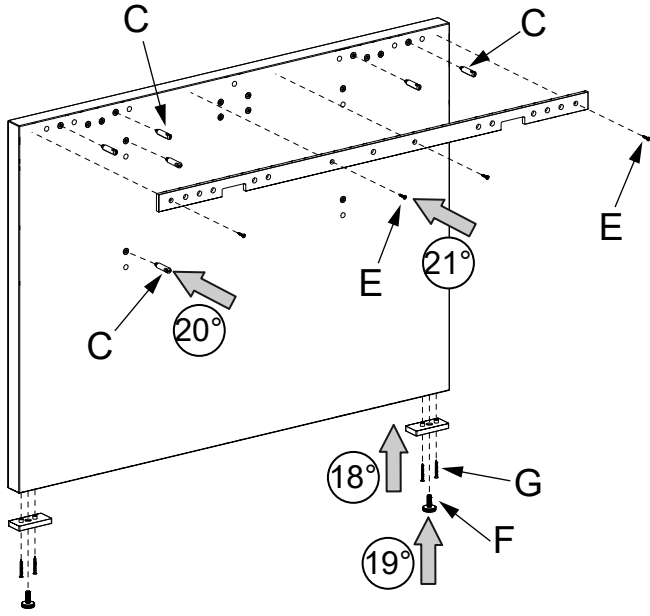
M10x12

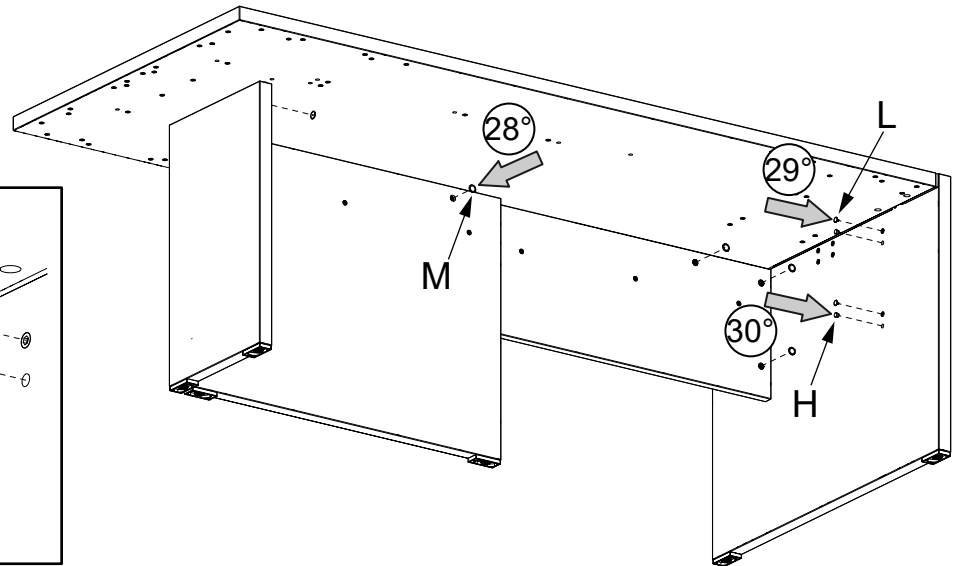
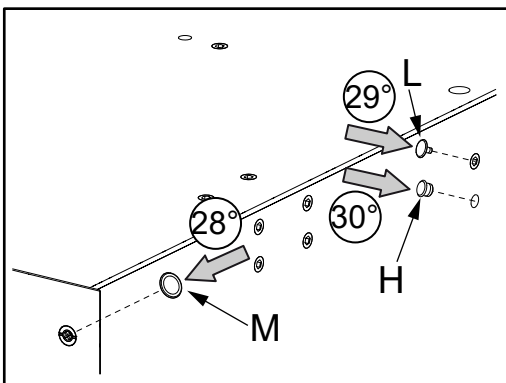
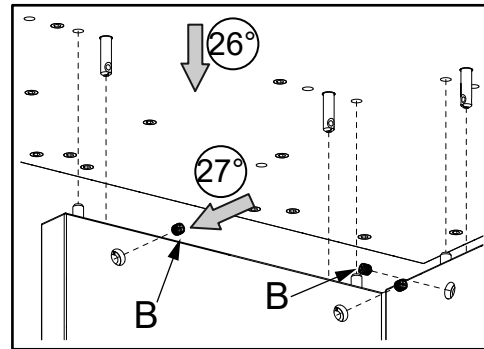
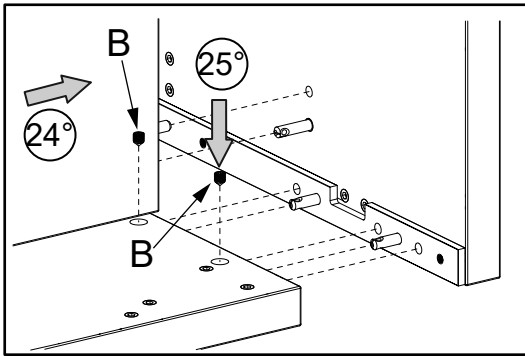
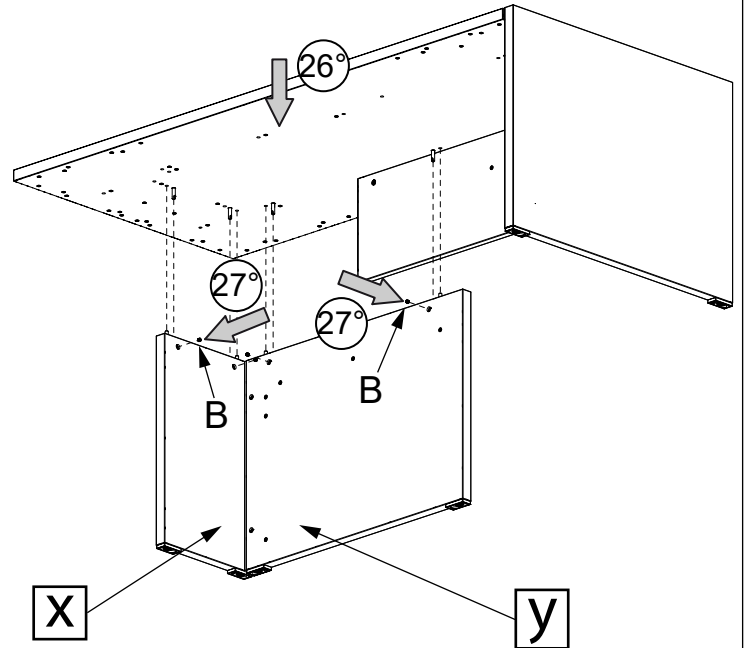
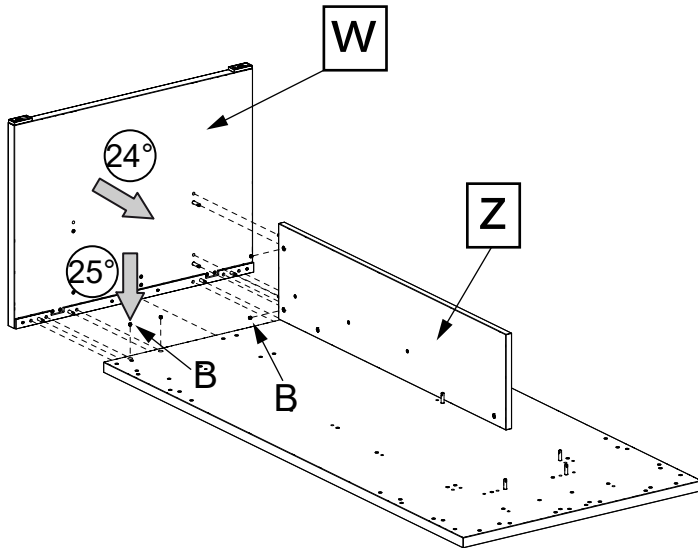
Ø 10 x 40

T.S.P.I.C. Ø3,5x20

T.S.P.I.C. Ø3,5x35

W





LEGENDA / LEGEND

RIFIUTO / WASTE

GAMBA IN CONGLOMERATO LIGNEO CON RIVESTIMENTO IN MELAMINICO
/ WOOD CONGLOMERATE LEG WITH MELAMINE COATING

LEGNO / WOOD

PROFILI - DISTANZIALI IN ALLUMINIO CROMATO
/ PROFILES - SPACERS IN CHROME-PLATED ALUMINUM

METALLO / METAL

MODESTY PANEL IN CONGLOMERATO LIGNEO CON RIVESTIMENTO IN MELAMINICO
/ WOOD CONGLOMERATE MODESTY PANEL WITH MELAMINE COATING

LEGNO / WOOD

PIANO DI LAVORO IN CONGLOMERATO LIGNEO CON RIVESTIMENTO IN MELAMINICO
/ WOOD CONGLOMERATE WORKTOP WITH MELAMINE COATING

LEGNO / WOOD

PUNTALE IN ABS / ABS FERRULE

PLASTICA / PLASTIC

LIVELLATORI IN ABS CON FILETTO IN METALLO / ABS LEVELING FEET WITH METAL THREAD

R. SPECIALE / SPECIAL WASTE