

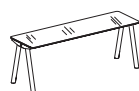
Tavoli scrivania con piani in vetro/Desk tables with glass work-top

W 78 6/8" D 39 3/8"
x H 28 15/16"
V C



911.TV.04.20_

W 78 6/8" D 23 5/8"
x H 28 15/16"
V C



911.TV.01.20_

W 70 7/8" D 35 7/16"
x H 28 15/16"
V C



911.TV.03.18_

Tavoli scrivania con piani in gres porcellanato/Desk tables with porcelain stoneware work-top

W 78 6/8" D 39 3/8"
x H 29 1/8"
G C



911.TV.04.20_

W 78 6/8" D 23 5/8"
x H 29 1/8"
G C



911.TV.01.20_

W 70 7/8" D 35 7/16"
x H 29 1/8"
G C



911.TV.03.18_

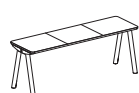
Tavoli con piani in cuoio/Desk tables with leather work-top

W 78 6/8" D 39 3/8"
x H 29 9/16"
C C



911.TS.04.20_

W 78 6/8" D 23 5/8"
x H 29 9/16"
C C



911.TS.44.20_

W 70 7/8" D 35 7/16"
x H 29 9/16"
C C



911.TS.03.18_

Tavoli scrivania/riunione/Meeting-desk tables

W 94 1/2" D 47 1/4"
x H 28 15/16"
V C



911.TV.06.24_

W 68" D 58 11/16"
x H 28 15/16"
V C



911.TV.28.18_

Ø 55 1/8"
x H 28 15/16"
V C



911.TV.28.14_

W 94 1/2" D 47 1/4"
x H 29 1/8"
G C



911.TV.06.24_

W 68" D 58 11/16"
x H 29 1/8"
G C



911.TV.28.18_

Ø 55 1/8"
x H 29 1/8"
G C



911.TV.28.14_

W 94 1/2" D 47 1/4"
x H 29 9/16"
C C



911.TR.41.24_

W 68" D 58 11/16"
x H 29 9/16"
C C



911.TR.21.18_

Ø 55 1/8"
x H 29 9/16"
C C



911.TR.21.14_

Note:

1 Le finiture gres e cuoio non sono in pronta consegna. Per la disponibilità contattare l'ufficio commerciale/Porcelain stoneware and leather finishes are not in prompt delivery. Please contact the commercial department to check availability;

2 Per la scelta dei contenitori e degli accessori vari, consultare il relativo listino o catalogo/ To choose storage units and accessories, please check correspondent price list or catalogue;

3 Le dimensioni sono espresse in pollici - consultare il listino prezzi per le caratteristiche tecniche, i codici degli articoli e delle finiture/Dimensions are stated in inch - for technical characteristics, article code numbers and finishing see price list;

4 Prodotti non in pronta consegna. Per la disponibilità contattare l'ufficio commerciale/Items not in prompt delivery. Please contact the commercial department to check availability;

C Con gambe in legno e travi in legno / Wood legs and beams


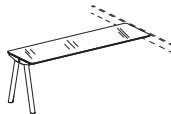
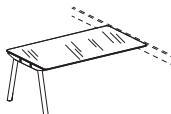

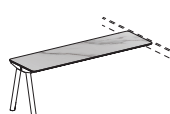

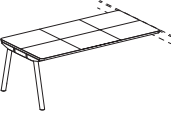
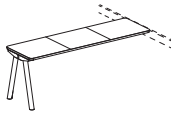
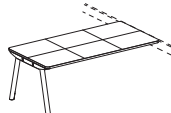
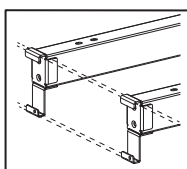
● Con gambe in legno e travi in metallo / Wood legs and metal beams

G Gres/Gres


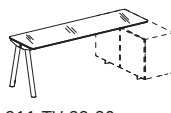
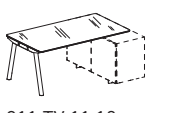

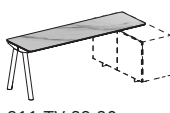

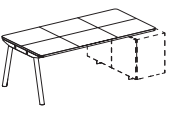
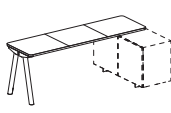
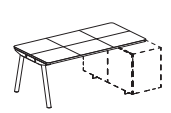
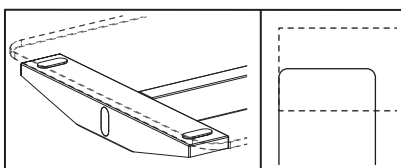
V Vetro/Glass

C Cuoio/Leather







Tavoli scrivania per integrazione su barra (DV504)/Desk tables for integration on bar (DV504)

<p>W 78 6/8" D 39 3/8" x H 28 15/16" V C</p>  <p>911.TV.32.20_</p>	<p>W 78 6/8" D 23 5/8" x H 28 15/16" V C</p>  <p>911.TV.30.20_</p>	<p>W 70 7/8" D 35 7/16" x H 28 15/16" V C</p>  <p>911.TV.31.18_</p>	<p>W 78 6/8" D 39 3/8" x H 29 1/8" G C</p>  <p>911.TV.32.20_</p>	<p>W 78 6/8" D 23 5/8" x H 29 1/8" G C</p>  <p>911.TV.30.20_</p>	<p>W 70 7/8" D 35 7/16" x H 29 1/8" G C</p>  <p>911.TV.31.18_</p>
<p>W 78 6/8" D 39 3/8" x H 29 9/16" C C</p>  <p>911.TI.22.20_</p>	<p>W 78 6/8" D 23 5/8" x H 29 9/16" C C</p>  <p>911.TI.20.20_</p>	<p>W 70 7/8" D 35 7/16" x H 29 9/16" C C</p>  <p>911.TI.21.18_</p>			

Tavoli per integrazione su moduli base (DV504)/Desks for integration on modules (DV504 series)

<p>W 78 6/8" D 39 3/8" x H 28 15/16" V C</p>  <p>911.TV.09.20_</p>	<p>W 78 6/8" D 23 5/8" x H 28 15/16" V C</p>  <p>911.TV.29.20_</p>	<p>W 70 7/8" D 35 7/16" x H 28 15/16" V C</p>  <p>911.TV.11.18_</p>	<p>W 78 6/8" D 39 3/8" x H 29 1/8" G C</p>  <p>911.TV.09.20_</p>	<p>W 78 6/8" D 23 5/8" x H 29 1/8" G C</p>  <p>911.TV.29.20_</p>	<p>W 70 7/8" D 35 7/16" x H 29 1/8" G C</p>  <p>911.TV.11.18_</p>
<p>W 78 6/8" D 39 3/8" x H 29 9/16" C C</p>  <p>911.TI.13.20_</p>	<p>W 78 6/8" D 23 5/8" x H 29 9/16" C C</p>  <p>911.TI.01.20_</p>	<p>W 70 7/8" D 35 7/16" x H 29 9/16" C C</p>  <p>911.TI.15.18_</p>			

Cassettiere su ruote/Pedestals on castors

<p>W 16 1/2" D 22 1/2" x H 21 7/8" C</p>  <p>550.CS.10.04_ Melaminico /Melamine</p>	<p>W 16 1/2" D 22 1/2" x H 21 7/8" C</p>  <p>550.CS.20.04_ Melaminico /Melamine</p>	<p>W 12 11/16" D 21 3/8" x H 21 7/8" C</p>  <p>550.CS.1M.03_ Metalliche /Metallic</p>	<p>W 12 11/16" D 21 3/8" x H 21 7/8" C</p>  <p>550.CS.2M.03_ Metalliche /Metallic</p>	<p>W 16 5/8" D 21 3/8" x H 21 7/8" C</p>  <p>550.CS.1M.04_ Metalliche - Vaschetta porta cancelleria inclusa /Metallic - Stationery tray included</p>	<p>W 16 5/8" D 21 3/8" x H 21 7/8" C</p>  <p>550.CS.2M.04_ Metalliche - Vaschetta porta cancelleria inclusa /Metallic - Stationery tray included</p>
---	--	--	--	---	--

Note: Per portacancelleria cassetti, vedi capitolo DV300-Accessori/For stationary tray, see chapter DV300-Accessories.

Modesty panel

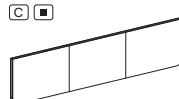
D 23/32" x H 12 5/8"



911.MP.03.08_ W 34 1/4"
911.MP.01.18_ W 50"
911.MP.01.20_ W 57 7/8"

Modesty panel in cuoio/Leather modesty panel

D 13/16" x H 12 5/8"



911.MP.03.08_ W 34 1/4"
911.MP.01.18_ W 50"
911.MP.01.20_ W 57 7/8"

Note:

1 Le finiture gres e cuoio non sono in pronta consegna. Per la disponibilità contattare l'ufficio commerciale/Porcelain stoneware and leather finishes are not in prompt delivery. Please contact the commercial department to check availability;

2 Per la scelta dei contenitori e degli accessori vari, consultare il relativo listino o catalogo/ To choose storage units and accessories, please check correspondent price list or catalogue;

3 Le dimensioni sono espresse in pollici - consultare il listino prezzi per le caratteristiche tecniche, i codici degli articoli e delle finiture/Dimensions are stated in inch - for technical characteristics, article code numbers and finishing see price list;

4 Prodotti non in pronta consegna. Per la disponibilità contattare l'ufficio commerciale/Items not in prompt delivery. Please contact the commercial department to check availability;

C Con gambe in legno e travi in legno / Wood legs and beams



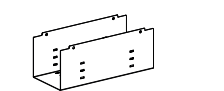
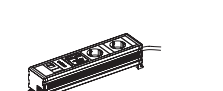

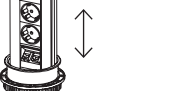
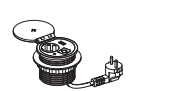







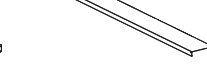

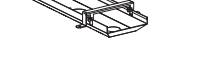
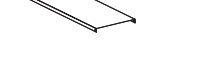




● Con gambe in legno e travi in metallo / Wood legs and metal beams

G Gres/Gres

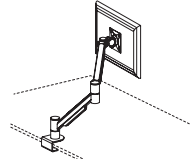
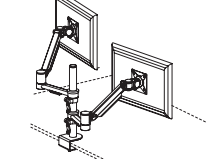
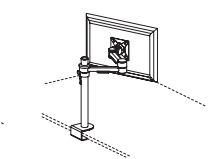
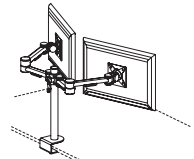
V Vetro/Glass

C Cuoio/Leather

Accessori per canalizzazione – Elettificazione – Vari/Accessories for wire management – Electrification – Various

 <p>300.AC.26.02 W 9 5/8" 300.AC.26.03 W 13 5/8" 300.AC.26.04 W 17 1/2"</p>	 <p>300.AC.20.02_ W 9 5/8" 300.AC.20.03_ W 13 5/8" 300.AC.20.04_ W 17 1/2"</p>	 <p>300.AC.25.02 W 9 1/4" 300.AC.25.03 W 13 3/16" 300.AC.25.04 W 17 1/8" Marsupio/Basket</p>	 <p>300.AP.S1.02 W 8 1/8" 300.AP.S1.03 W 11 7/8" 300.AP.S1.04 W 16 1/2" Per/For top access 300.AC.26._</p>	 <p>300.AT.A6.02 W 8 1/4" 300.AT.A6.03 W 10" 300.AT.A6.04 W 15 3/8"</p>	 <p>300.AP.T4.01 300.AP.T5.01 – UK 300.AP.T6.01 – US</p>	 <p>300.AP.T8.11 300.AP.T8.14 300.AP.T8.17 300.AP.T8.20</p>
<p>W 12 5/8" × D 4 7/8"</p>						
 <p>300.AC.38.03_H 1 3/16"</p>	 <p>300.AC.67.03 Marsupio per top access 300.AC.38.03 / Basket for top access 300.AC.38.03</p>	 <p>300.AP.V1.00</p>	 <p>911.AP.08.06_ Canalina verticale per gamba /Vertical cable channel for leg</p>	 <p>300.AP.F1.00</p>	 <p>300.AP.T7.01 Ø 2 3/8" 300.AP.T8.01 Ø 3 1/8"</p>	
 <p>D 6 11/16" × H 3 9/16" 911.AP.01.20_ W 57 1/2" Per tavoli P. 60 cm /For desks D.23 5/8"</p>	 <p>D 6 11/16" × H 3 9/16" 911.AP.41.20_ W 70 7/8" Carter canaline singole per piani in vetro/Covering carter for glass worktops</p>	 <p>D 9 1/2" × H 3 15/16" 911.AP.02.18_ W 49 5/8" 911.AP.02.20_ W 57 1/2" Per tavoli P. 90-100-120 cm/For desks D. 35 7/16"-39 3/8"-47 1/4"</p>	 <p>D 9 1/2" × H 3 15/16" 911.AP.03.07_ W 27 15/16" Per tavoli tondi /For round tables</p>	 <p>D 9 1/2" × H 13/16" 911.AP.45.08 W 33 1/16" 911.AP.43.18 W 63" 911.AP.43.20 W 70 7/8" Carter canaline doppie per piani in vetro/Carter for double cable channels for glass worktops</p>	 <p>D 6 11/16" × H 3 9/16" 911.AP.42.20_ W 71 5/8" Carter canaline singole per piani in vetro su barra/Carter for single cable channels for glass worktops on bar</p>	 <p>D 9 1/2" × H 13/16" 911.AP.44.18 W 63 3/4" 911.AP.44.20 W 71 5/8" Carter canaline doppie per piani in vetro su barra/Carter for double cable channels for glass worktops on bar</p>
<p>D 23 5/8" W 35 7/16" × H 13/16"</p>						
 <p>300.AS.01.09_</p>	 <p>300.AC.06.05_</p>					

Bracci porta video/Arms for video support

 <p>300.AC.02.01 Braccio porta video mobile su piano /Dynamic arm for video support on deskbase</p>	 <p>300.AC.02.02 Doppio braccio porta video mobile su piano/2 dynamic arms for video support on deskbase</p>	 <p>300.AC.01.01 Braccio porta video statico su palo/Static arm for video support on pole</p>	 <p>300.AC.01.02 Doppio braccio porta video statico su palo/2 Static arms for video support on pole</p>
---	---	--	--

Note:

1 Le finiture gres e cuoio non sono in pronta consegna. Per la disponibilità contattare l'ufficio commerciale/ Porcelain stoneware and leather finishes are not in prompt delivery. Please contact the commercial department to check availability;

2 Per la scelta dei contenitori e degli accessori vari, consultare il relativo listino o catalogo/ To choose storage units and accessories, please check correspondent price list or catalogue;

3 Le dimensioni sono espresse in pollici – consultare il listino prezzi per le caratteristiche tecniche, i codici degli articoli e delle finiture/Dimensions are stated in inch – for technical characteristics, article code numbers and finishing see price list;

4 Prodotti non in pronta consegna. Per la disponibilità contattare l'ufficio commerciale/Items not in prompt delivery. Please contact the commercial department to check availability;

5 Articoli prodotti solo su richiesta/Items produced only on demand;

6 Fino ad esaurimento/Until exhaustion;

7 Cuoio/Leather