

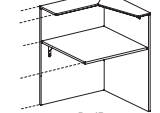
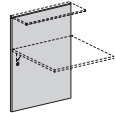
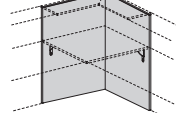
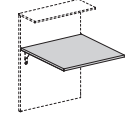
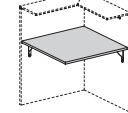


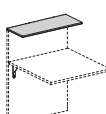
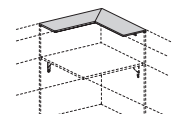
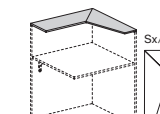
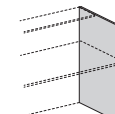

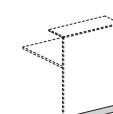
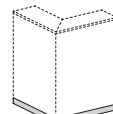
Moduli bancone standard/Standard counter units

<p>D 33 1/16" x H 44 1/4"</p>  <p>703.MB.01.08_W 31 1/2" 703.MB.01.14_W 55 1/8" 703.MB.01.16_W 63" 703.MB.01.20_W 78 6/8" (**) Moduli dritti/Straight counter units</p>	<p>W 33 1/16" D 33 1/16" x H 44 1/4"</p> <p>(*)</p>  <p>703.MB.03.08_ Raccordo 90° a 2 vie /2 ways 90° connection unit</p>	<p>W 33 1/16" D 33 1/16" x H 44 1/4"</p> <p>Dx/R</p>  <p>703.MB.04.08_ Terminale 90° Dx - Sx /Terminal counter unit 90° R - L</p>
---	---	--

Componenti per moduli bancone/Components for counter units

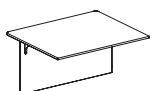
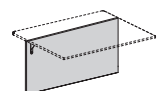
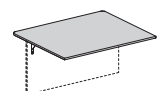
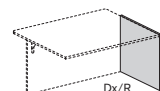
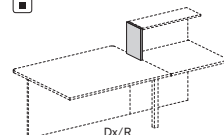
<p>D 1" x H 43 3/8"</p>  <p>703.SQ.01.08_W 31 1/2" 703.SQ.01.14_W 55 1/8" 703.SQ.01.16_W 63" 703.SQ.01.20_W 78 6/8" (**) Schiene per moduli dritti /Back panels for straight units</p>	<p>W 33 1/16" D 33 1/16" x H 43 3/8"</p>  <p>703.SQ.02.08_ Schiene per moduli 90° /Back panels for 90° units</p>	<p>D 31 1/2" x H 1"</p>  <p>703.PQ.01.08_W 31 1/2" 703.PQ.01.14_W 55 1/8" 703.PQ.01.16_W 63" 703.PQ.01.20_W 78 6/8" Piani scrivania per moduli dritti /Worktops for straight units</p>	<p>W 31 1/2" D 31 1/2" x H 1"</p>  <p>703.PQ.02.08_ Piani scrivania per moduli 90° /Worktops for 90° units</p>
---	--	---	---

Componenti per moduli bancone/Components for counter modules

<p>D 11 7/8" x H 23/32"</p>  <p>703.TQ.01.08_W 31 1/2" 703.TQ.01.14_W 55 1/8" 703.TQ.01.16_W 63" 703.TQ.01.20_W 78 6/8" Top per moduli dritti /Top for straight units</p>	<p>W 33 1/16" D 33 1/16" x H 23/32"</p> <p>(*)</p> <p>Sx/L - Dx/R</p>  <p>703.TQ.02.08_ Top per raccordo 90° a 2 vie /Top for 90° units</p>	<p>W 33 1/16" D 33 1/16" x H 23/32"</p> <p>Dx/R</p>  <p>703.TQ.03.08_ Sx/L - Dx/R Top per terminali 90° Dx - Sx /R - L top for 90° terminal units</p>	<p>W 33 1/16" D 1" x H 44 1/4"</p> <p>(*) (2)</p> <p>Dx/R</p>  <p>703.FC.01.08_ Sx/L - Dx/R Fianchi terminali Dx - Sx /R - L terminal sides</p>	<p>W 2" D 2" x H 28 1/8"</p>  <p>703.GM.01.01 Colonna intermedia /Intermediate slim column</p>	<p>D 1" x H 3 1/8"</p>  <p>703.ZB.01.08_W 31 1/2" 703.ZB.01.14_W 55 1/8" 703.ZB.01.16_W 63" 703.ZB.01.20_W 78 6/8" Zoccoli per moduli dritti/Metal plinth for straight units (Optional)</p>	<p>W 33 1/16" D 33 1/16" x H 3 1/8"</p>  <p>703.ZB.02.08 Zoccoli per moduli 90° /Metal plinth for 90° units (Optional)</p>
---	--	--	--	---	--	---

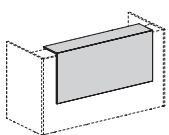
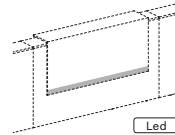
(*) Non utilizzabile come terminale/It cannot be used as a terminal side (2) Componenti non collegabili con modulo conversazione/Items that cannot be connected with the conversation counter units

Moduli bancone con piano conversazione/Counter units with conversation top




<p>W 55 1/8" D 45 1/4" x H 29 1/8"</p> <p>(2)</p>  <p>703.MB.02.14_ Modulo conversazione /Conversation counter unit</p>	<p>W 55 1/8" D 1" x H 28 1/8"</p> <p>(2)</p>  <p>703.SQ.03.14_ Schiene per modulo conversazione /Back panels for conversation unit</p>	<p>W 55 1/8" D 45 1/4" x H 1"</p> <p>(2)</p>  <p>703.PQ.03.14_ Piano per modulo conversazione /Worktop for conversation unit</p>	<p>W 33 1/16" D 1" x H 29 1/8"</p> <p>(2) (2)</p>  <p>703.FC.03.08_ Sx/L - Dx/R Fianchi terminali per modulo conversazione /Terminal sides for conversation unit</p>	<p>W 11 1/16" D 1" x H 15 3/8"</p> <p>(2)</p>  <p>703.CT.A1.02_ Sx/L - Dx/R Fianchetti superiori per modulo conversazione /Small sides for conversation unit</p>
---	---	---	--	---

(2) Gli zoccoli sono optional e non sono previsti per i fianchi terminali / The aluminium plinths are optional and are not intended for end panels







Top accettazione/Decorative top

<p>W 55 1/8" - 63" D 12 3/4" x H 29 1/8"</p> <p>(2)</p>  <p>703.TA.01.14_W 55 1/8" 703.TA.01.16_W 63"</p>	<p>W 55 1/8" D 1" x H 28 1/8"</p> <p>(2)</p>  <p>703.LQ.02.14_W 55 1/8" 703.LQ.02.16_W 63"</p>
---	---

Cassettiere portanti/Carrying pedestals

<p>W 16 4/8" D 25 5/8" x H 72,2</p> <p>(2) (2)</p>  <p>550.CS.30.04_ 550.CS.40.04_ Cassettiere senza top per integrazione sotto il piano di lavoro/Pedestals without top to be integrated under the worktop</p>	<p>H 23/32"</p> <p>(2)</p>  <p>550.CG.12.04 Zoccolo (Optional) /Base frame (Optional)</p>	
---	--	---

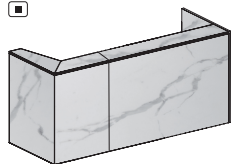
Cassettiere/Pedestals

<p>W 16 4/8" D 22 1/2" x H 21 7/8"</p> <p>(2) (2)</p>  <p>550.CS.10.04_ Melaminico/Melamine</p>	<p>W 12 11/16" D 21 3/8" x H 21 7/8"</p> <p>(2) (2)</p>  <p>550.CS.20.04_ Melaminico/Melamine</p>	<p>W 12 11/16" D 21 3/8" x H 21 7/8"</p> <p>(2) (2)</p>  <p>550.CS.1M.03_ Metalliche/Metallic</p>	<p>W 12 11/16" D 21 3/8" x H 21 7/8"</p> <p>(2) (2)</p>  <p>550.CS.2M.03_ Metalliche/Metallic</p>	<p>W 16 5/8" D 21 3/8" x H 21 7/8"</p> <p>(2) (2)</p>  <p>550.CS.1M.04_ Metalliche - Vaschetta porta cancelleria inclusa /Metallic - Stationery tray included</p>	<p>W 16 5/8" D 21 3/8" x H 21 7/8"</p> <p>(2) (2)</p>  <p>550.CS.2M.04_ Metalliche - Vaschetta porta cancelleria inclusa /Metallic - Stationery tray included</p>
---	--	--	--	--	--

(Note): Per portacancelleria cassette, vedi capitolo DV300-Accessori / For stationery tray, see chapter DV300-Accessories.

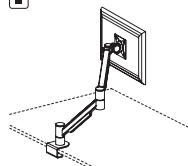
Composizione in gres / Gres composition

W 97 1/4" D 33 1/16" x H 44 1/4"



703.CM.P1

Bracci porta video / Arms for video support

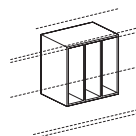


300.AC.02.01

Braccio porta video mobile su piano
/ Dynamic arm for video support on deskbase

Accessori / Accessories

W 13 6/8" D 9 1/2" x H 13 6/8"



300.AC.14.03

Box Multiuso / Storage Box

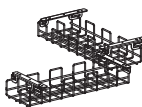
Canalizzazione - Elettrificazione / Wire-Management - Electrification



300.AP.V1.00



300.AP.15.05 W 22 7/8"
For 703.MB.01.08_ / 703.MB.04.08_
300.AP.15.08 W 34 5/8"
For 703.MB.01.20_
300.AP.15.11 W 43 3/8"
For 703.MB.01.14_ / 703.MB.02.14_
300.AP.15.14 W 55 1/8"
For 703.MB.01.16_

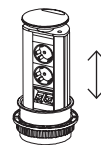


703.AP.01.04 W 17 6/8"

For 703.MB.03.08_



300.AP.S1.02 W 8 1/8"
300.AP.S1.03 W 11 7/8"
300.AP.S1.04 W 16 4/8"



300.AP.T4.01
300.AP.T5.01 - UK
300.AP.T6.01 - US

Ø 3 1/8"



300.AP.T8.11
300.AP.T8.14
300.AP.T8.17
300.AP.T8.20



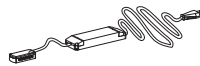
300.AP.T2.01 Ø 3 1/8"



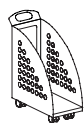
300.AP.T7.01 Ø 2 3/8"
300.AP.T8.01 Ø 3 1/8"



703.LQ.03.00 L 21 5/8"



703.KQ.03.00
15W/100 - 240V ≥ 12V



300.AC.06.05_

Note:

1 Progettare la composizione del bancone ed aggiungere:
n°1 gamba intermedia per ogni collegamento tra due moduli;
n° 1 gamba terminale Dx o Sx, o fianco terminale Dx o Sx, o fianco terminale conversazione Dx o Sx per ogni lato finale del bancone; copertura superiore per ogni collegamento tra modulo conversazione e modulo bancone; / When designing the counter composition, add the following elements: n°1 middle leg for each connection between two counters; n°1 terminal leg (RH or LH) or terminal side (RH or LH), or terminal side for conversation counter unit (RH or LH) on each side of the counter unit; add the terminal covers elements according to the same quantity of terminal legs; upper cover element for the connection between the conversation counter unit and the standard counter unit;

2 Per la scelta dei contenitori e degli accessori vari, consultare il relativo listino o catalogo/To choose storage units and accessories, please check correspondent pricelist or catalogue;

3 Le dimensioni sono espresse in pollici - consultare il listino prezzi per le caratteristiche tecniche, i codici degli articoli e delle finiture/Dimensions are stated in inch - for technical characteristics, article code numbers and finishing see price list;

** Le schiene L=200 cm non sono disponibili noce "Maroncelli" /The back panels W=78 6/8" are not available in "Maroncelli" walnut.

Prodotti non in pronta consegna. Per la disponibilità contattare l'ufficio commerciale/Items not in prompt delivery. Please contact the commercial department to check availability;

Articoli prodotti solo su richiesta/Items produced only on demand;

Con serratura /With lock.

Fino ad esaurimento /Until exhaustion;